

DPA/DPM

Technical data

- imperial -



angle drive

DPA 08 TLX

Pneumatic
nutrunner

manufactured size

automatic
2-speed gearbox

aluminium version
(gearbox housing)

DP MW 12 TSX

Pneumatic
nutrunner

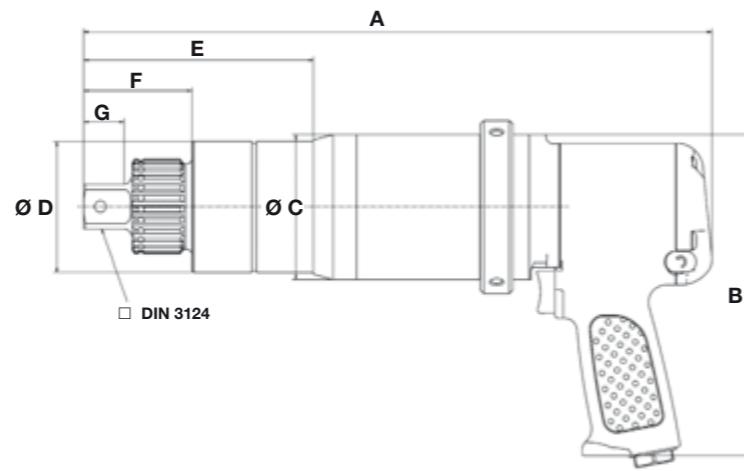
manufactured size

manual
2-speed gearbox

steel version
(gearbox housing)

DPA/DPM

All types available also in steel version.



dimensions (inch)

Type	A	B	C	D	E	F	G	□ inch
DPA 08 TLX	13.5"	7.5"	3.2"	2.9"	4.9"	2.3"	1.0"	3/4"
DPA 12 TLX	13.7"	7.5"	3.2"	2.9"	5.1"	2.4"	1.1"	1"
DPA 17 TLX	13.9"	7.5"	3.2"	3.7"	5.5"	2.4"	1.1"	1"
DPA 28 TLX	15.8"	7.5"	3.2"	3.9"	5.9"	2.9"	1.1"	1"
DPA 47 TLX	17.2"	7.5"	3.2"	3.9"	6.4"	3.4"	1.9"	1 1/2"
DPA 65 TLX	18.5"	7.5"	3.2"	4.7"	9.0"	3.9"	1.7"	1 1/2"

Type	A	B	C	D	E	F	G	□ inch
DPM 08 TLX	12.1"	7.5"	3.2"	2.9"	4.9"	2.3"	1.0"	3/4"
DPM 12 TLX	12.3"	7.5"	3.2"	2.9"	5.1"	2.4"	1.1"	1"
DPM 17 TLX	12.6"	7.5"	3.2"	3.7"	5.5"	2.4"	1.1"	1"
DPM 28 TLX	14.5"	7.5"	3.2"	3.9"	5.9"	2.9"	1.1"	1"
DPM 47 TLX	15.9"	7.5"	3.2"	3.9"	6.4"	3.4"	1.6"	1 1/2"
DPM 65 TLX	17.1"	7.5"	3.2"	4.7"	8.6"	3.9"	1.7"	1 1/2"

power range

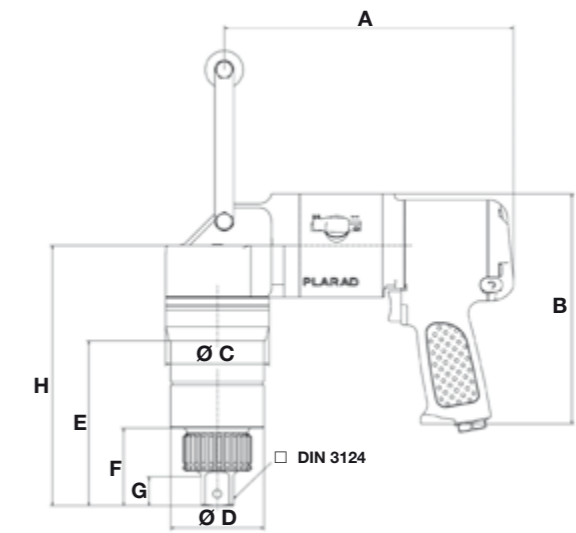
Type	Torque range	Speed idling (U/min)	Speed loaded (U/min)	Weight
DPA 08 TLX	92 – 608 ft lbs	79,0	13,0	13,0 lb
DPA 12 TLX	200 – 900 fb lbs	41,0	7,0	13,4 lb
DPA 17 TLX	221 – 1,290 ft lbs	34,0	6,0	15,4 lb
DPA 28 TLX	442 – 2,102 ft lbs	15,0	2,5	18,9 lb
DPA 47 TLX	811 – 3,466 ft lbs	11,0	2 ,0	20,5 lb
DPA 65 TLX	959 – 4,794 ft lbs	8,0	1,4	30,4 lb

Type	Torque range	Speed idling 1. (U/min)	Speed idling 2. (U/min)	Weight
DPM 08 TLX	44 – 608 ft lbs	52,0	17,0	11,4 lb
DPM 12 TLX	60 – 900 ft lbs	27,0	9,0	12,5 lb
DPM 17 TLX	80 – 1,291 ft lbs	24,0	8,0	14,3 lb
DPM 28 TLX	110 – 2,102 ft lbs	10,0	3,2	16,9 lb
DPM 47 TLX	160 – 3,466 ft lbs	8 ,0	2,7	17 lb
DPM 65 TLX	220 – 4,794 ft lbs	6,0	2,0	28,6 lb

On request available up to 12,000 Nm. Weight without reaction arm.

DPAW/DPMW

All types available also in steel version.



dimensions (inch)

Type	A	B	C	D	E	F	G	H
DPAW 08 TLX	10.5"	7.5"	3.2"	2.9"	4.9"	2.2"	1.0"	8.0"
DPAW 12 TLX	10.5"	7.5"	3.2"	2.9"	5.1"	2.4"	1.1"	8.1"
DPAW 17 TLX	10.5"	7.5"	3.2"	3.7"	5.5"	2.4"	1.1"	8.5"
DPAW 28 TLX	10.5"	7.5"	3.2"	3.9"	5.9"	2.9"	1.1"	10.3"
DPAW 47 TLX	10.5"	7.5"	3.2"	3.9"	6.4"	3.4"	1.6"	10.4"
DPAW 65 TLX	10.5"	7.5"	3.2"	4.7"	8.6"	3.9"	1.7"	12.4"

Type	A	B	C	D	E	F	G	H
DPMW 08 TLX	9.0"	7.5"	3.2"	2.9"	4.9"	2.3"	1.0"	8.0"
DPMW 12 TLX	9.0"	7.5"	3.2"	2.9"	5.1"	2.4"	1.1"	8.1"
DPMW 17 TLX	9.0"	7.5"	3.2"	3.7"	5.5"	2.4"	1.1"	8.5"
DPMW 28 TLX	9.0"	7.5"	3.2"	3.9"	5.9"	2.9"	1.1"	10.3"
DPMW 47 TLX	9.0"	7.5"	3.2"	3.9"	6.4"	3.4"	1.6"	10.4"
DPMW 65 TLX	9.0"	7.5"	3.2"	4.7"	8.6"	3.9"	1.7"	12.4"

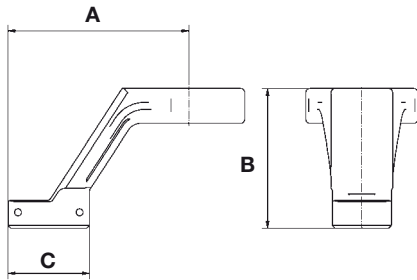
power range

Type	Torque range	Rotation speed* (U/min)	Output drive □ (Zoll/inch)	Weight*
DPAW 08 TLX	92 – 608 ft lbs	70,0	3/4"	17,4 lb
DPAW 12 TLX	200 – 900 ft lbs	36,0	1"	17,8 lb
DPAW 17 TLX	221 – 1,290 ft lbs	30,0	1"	19,8 lb
DPAW 28 TLX	442 – 2,102 ft lbs	11,0	1"	23,5 lb
DPAW 47 TLX	811 – 3,466 ft lbs	8,0	1 1/2"	24,9 lb
DPAW 65 TLX	960 – 4,794 ft lbs	7,0	1 1/2"	34,8 lb

Type	Torque range	Rotation speed* (U/min)	Output drive □ (Zoll/inch)	Weight*
DPMW 08 TLX	44 – 608 ft lbs	41,0	3/4"	15,6 lb
DPMW 12 TLX	60 – 900 ft lbs	21,0	1"	15,8 lb
DPMW 17 TLX	80 – 1,291 ft lbs	17,0	1"	17,8 lb
DPMW 28 TLX	110 – 2,102 ft lbs	7,0	1"	21,3 lb
DPMW 47 TLX	160 – 3,466 ft lbs	5,0	1 1/2"	23,1 lb
DPMW 65 TLX	220 – 4,749 ft lbs	4,0	1 1/2"	32,8 lb

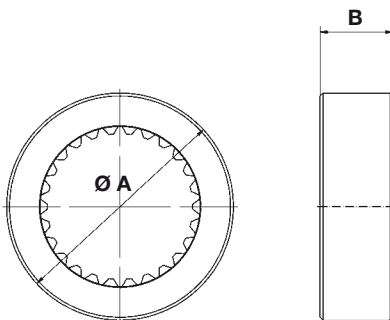
* With input speed 14.000 rpm. Weight without reaction arm.

Standard reaction arm



Type	A	B	C	Weight	code no.
DPA/M 08 TLX/TSX	4.3"	3.1"	2"	0,6 lb	F16-003-3-00103
DPA/M 12 TLX/TSX	5.1"	3.9"	2.4"	1,3 lb	F16-010-3-12203
DPA/M 17 TLX/TSX	5.1"	3.9"	2.4"	1,3 lb	F16-010-3-12203
DPA/M 28 TLX/TSX	6.7"	5.1"	2.4"	2,2 lb	F16-025-3-00106
DPA/M 47 TLX/TSX	6.7"	5.1"	2.4"	2,2 lb	F16-045-3-03605
DPA/M 65 TLX/TSX	7.5"	5.9"	3.1"	4,4 lb	F16-060-3-02901

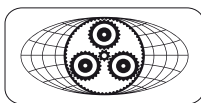
Welding ring for reaction arms



Type	A	B	Weight	code no.
DPA/M 08 TLX/TSX	3"	1"	1,1 lb	F17-010-3-12401
DPA/M 12 TLX/TSX	3"	1"	1,1 lb	F17-010-3-12401
DPA/M 17 TLX/TSX	3"	1"	1,1 lb	F17-010-3-12401
DPA/M 28 TLX/TSX	3.9"	1.3"	2,4 lb	F17-045-3-02101
DPA/M 47 TLX/TSX	3.9"	1.3"	2,4 lb	F16-045-3-02101
DPA/M 65 TLX/TSX	4.3"	2"	3,7 lb	F08-060-3-01401

The technical specifications of the DP-ATEX types are commensurate to those of the DP model range.

PLARAD[®]
Torque & Tension Systems



**Maschinenfabrik Wagner
GmbH & Co.KG**
Birrenbachshöhe
D-53804 Much • Germany

Tel. national: (02245) 62 – 0
Fax national: (02245) 62 – 66
E-Mail: info@plarad.com
Web: <http://www.plarad.com>

Phone international: +49 (0)2245 62 – 10
Fax international: +49 (0)2245 62 – 22
Copyright: Reprints and copies, including extracts, may only be made subsequent to express, written permission.