

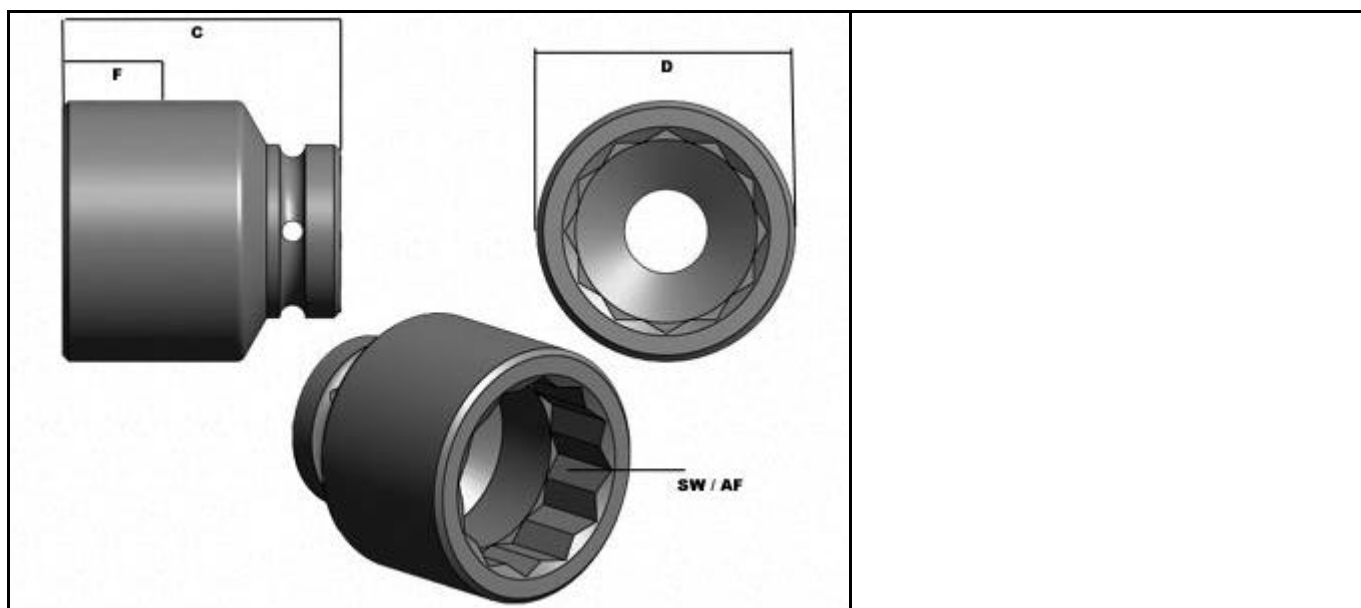
Norm-Doppelsechskantnüsse

Double hex sockets



Norm-Doppelsechskantnüsse

Double hex sockets



Norm-Doppelsechskantnüsse mit 3/4" Antriebsvierkant Double hex sockets with 3/4" square drive

Type	SW / AF (mm)	Schraube Bolt	C	D	F	M _t max.*	Gewicht* Weight*	Code Nr. Code no.
A 075 SD 22 M	22	14	37,1	51	9,8	403		F97-019-8-02204
A 075 SD 24 M	24	16	39,6	51	11,2	504		F97-019-8-02404
A 075 SD 27 M	27	18	43,5	54	12,6	652		F97-019-8-02704
A 075 SD 30 M	30	20	47,2	54	12,6	809		F97-019-8-03004
A 075 SD 32 M	32	22	49,7	57	14,0	932		F97-019-8-03204
A 075 SD 36 M	36	24	54,9	57	15,0	1230		F97-019-8-03604
A 075 SD 41 M	41	27	61,6	58	20,0	1300		F97-019-8-04104
A 075 SD 46 M	46	30	67,4	63	22,0	1300		F97-019-8-04604
Type	SW					Code Nr.		
Drahtfedersicherung Retaining Clip	17 - 46		3/4" Nüsse			K00-002-4-50901		

* Gewicht in KG

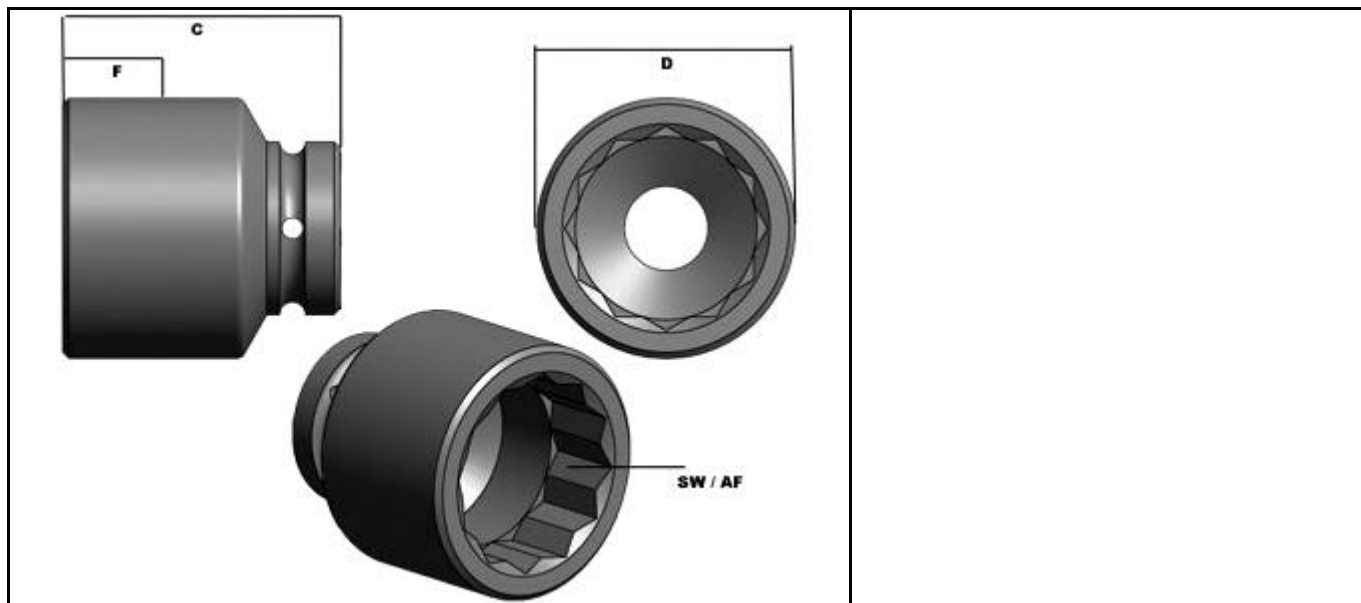
* Drehmoment in Nm

* Weight in KG

* Torques are indicated in Nm

Norm-Doppelsechskantnüsse

Double hex sockets



Norm-Doppelsechskant-Nüsse mit 1" Antriebsvierkant Double hex sockets with 1" square drive

Type	SW / AF (mm)	Schraube Bolt	C	D	F	M _{tmax.} *	Gewicht* weight*	Code Nr. Code no.
A 100 SD 22 M	22	14	39,9	60	9,8	522		F97-025-8-02210
A 100 SD 24 M	24	16	42,4	60	11,2	649		F97-025-8-02410
A 100 SD 27 M	27	18	46,3	60	12,6	830		F97-025-8-02710
A 100 SD 30 M	30	20	50,0	60	14,0	1024		F97-025-8-03010
A 100 SD 32 M	32	22	52,5	63	15,0	1174		F97-025-8-03210
A 100 SD 36 M	36	24	57,5	67	17,0	1509		F97-025-8-03610
A 100 SD 41 M	41	27	63,9	70	20,0	2072		F97-025-8-04110
A 100 SD 46 M	46	30	70,0	76	22,0	2572		F97-025-8-04610
A 100 SD 50 M	50	33	75,0	82	23,0	2965		F97-025-8-05010
A 100 SD 55 M	55	36	80,0	87	26,0	3471		F97-025-8-05510
A 100 SD 60 M	60	39	85,0	91	28,0	3819		F97-025-8-06010
A 100 SD 65 M	65	42	90,0	95	29,0	4024		F97-025-8-06510
A 100 SD 70 M	70	45	100,0	100	29,0	4500		F97-025-8-07010
A 100 SD 75M	75	48	109,0	110	34,0	4500		F97-025-8-07510
Type	SW						Code Nr.	
Drahtfedersicherung Retaining Clip	19 - 70		1" Nüsse				K00-002-4-51001	
Drahtfedersicherung Retaining Clip	75 - 80		1" Nüsse				K00-002-4-51101	

* Gewicht in KG

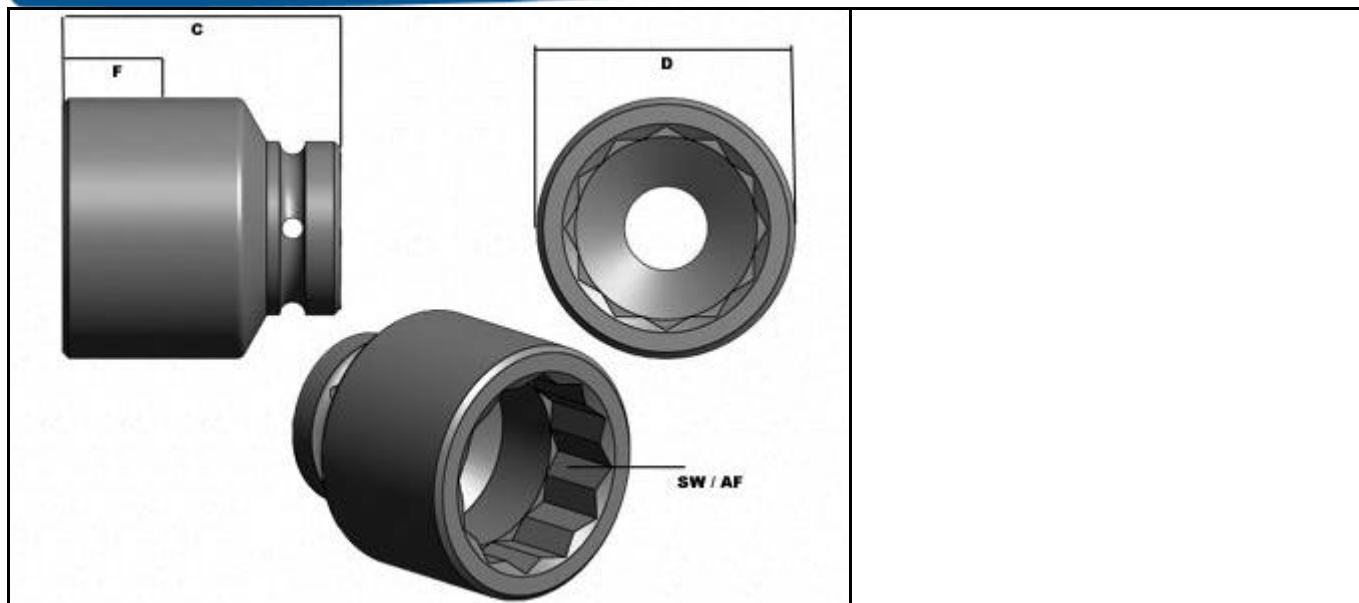
* Drehmoment in Nm

* Weight in KG

* Torques are indicated in Nm

Norm-Doppelsechskantnüsse

Double hex sockets



Norm-Doppelsechskant-Nüsse mit 1 1/2" Antriebsvierkant Double hex sockets with 1 1/2" square drive

Type	SW / AF (mm)	Schraube Bolt	C	D	F	M _{tmax} *	Gewicht* weight*	Code Nr. Code no.
A 150 SD 36 M	36	24	63,9	78	17	2250		F97-038-8-03600
A 150 SD 41 M	41	27	70,1	80	20	3000		F97-038-8-04100
A 150 SD 46 M	46	30	76,4	84	22	3730		F97-038-8-04600
A 150 SD 50 M	50	33	81,4	87	23	4260		F97-038-8-05000
A 150 SD 55 M	55	36	87,0	90	25	4970		F97-038-8-05500
A 150 SD 60 M	60	39	94,0	95	27	6125		F97-038-8-06000
A 150 SD 65 M	65	42	100,0	100	29	7120		F97-038-8-06500
A 150 SD 70 M	70	45	107,0	105	32	8460		F97-038-8-07000
A 150 SD 75 M	75	48	113,0	110	34	9640		F97-038-8-07500
A 150 SD 80 M	80	52	119,0	116	36	11385		F97-038-8-08000
A 150 SD 85 M	85	56	126,0	121	39	13135		F97-038-8-08500
A 150 SD 90 M	90	60	131,9	127	42	15000		F97-038-8-09000
Type	SW					Code Nr.		
Drahtfedersicherung Retaining Clip	36 - 90		1 1/2" Nüsse			K00-002-4-51101		

* Gewicht in KG

* Drehmoment in Nm

* Weight in KG

* Torques are indicated in Nm